



P.O. Box 22326
Lincoln, NE 68542

PF: 402/421-9464 | WEBSITE: www.sitescapesonline.com
FX: 402/421-9479 | E-MAIL: info@sitescapesonline.com

INCH TOLERANCES U.O.S.

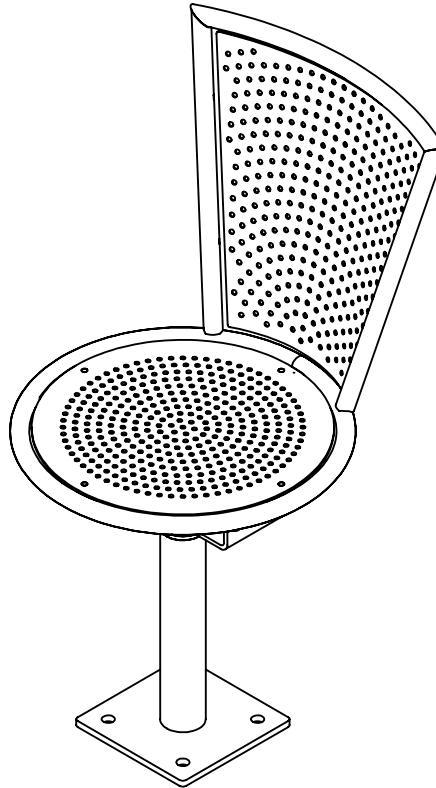
THE INFORMATION CONTAINED IN THIS DRAWING IS THE SOLE PROPERTY OF SITESCAPES, INC. ANY REPRODUCTION IN PART OR AS A WHOLE WITHOUT THE WRITTEN PERMISSION OF SITESCAPES, INC. IS PROHIBITED.

TITLE *STADIUM
DINING HEIGHT CHAIR*

PRODUCT NO.
ST5-2000

FRACTION-- $\pm 1/16"$
ANG----- $\pm 1^\circ$

*Available in powder coat and DuraCoat finishes





P.O. Box 22326
Lincoln, NE 68542

PF: 402/421-9464 | WEBSITE: www.sitescapesonline.com
FX: 402/421-9479 | E-MAIL: info@sitescapesonline.com

INCH TOLERANCES U.O.S.

FRACTION-- $\pm 1/16"$
ANG----- $\pm 1^\circ$

THE INFORMATION CONTAINED IN THIS DRAWING IS THE SOLE PROPERTY OF SITESCAPES, INC. ANY REPRODUCTION IN PART OR AS A WHOLE WITHOUT THE WRITTEN PERMISSION OF SITESCAPES, INC. IS PROHIBITED.

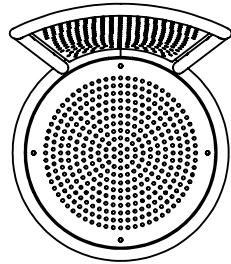
TITLE *STADIUM
DINING HEIGHT CHAIR*

PRODUCT NO.
ST5-2000

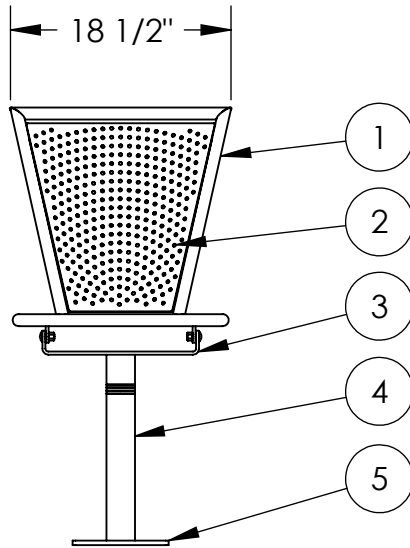
*Available in powder coat and DuraCoat finishes

MATERIALS LIST:

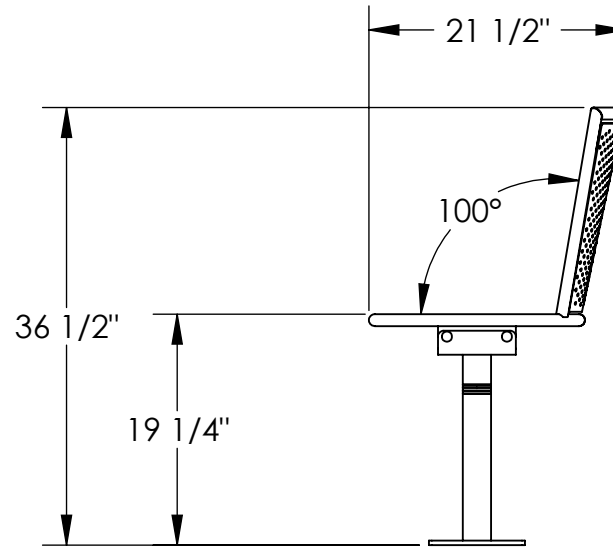
- (1) Seat Tubing - $\phi 7/8"$ Aluminum Tubing
- (2) Seat Panel - $1/8"$ Aluminum Perforated Sheet
- (3) Support Plate - $1/4"$ Steel Plate
- (4) Pivoting Support Tubing - $\phi 2 3/8"$ Steel Tubing
- (5) Base Plate - 8" Sq. x $3/8"$ Stainless Steel Plate
- (6) Mounted w/ Four $\phi 1/2"$ x 4-5" Stainless Steel Anchor Bolts (Customer Supplied)



TOP VIEW



FRONT VIEW



RIGHT SIDE VIEW

