



SITESCAPES

QuarryView Seating







## QuarryView Stone Pedestal Seating

### QuarryView Seating

QuarryView seating features masonry planter pedestal bases with Ipe hardwood seating surface. Each pedestal consists of four separate panels using hand laid courses of thin veneer which are bonded to a powder coated light weight steel frame. The cast stone tops have a 12" diameter hole and accepts a 12" flower pot (included). Panels are easily assembled by hand and do not require any tools. QuarryView Stonework is perfect for natural settings and pairs great with planter beds and foliage.

### Seating Materials

Natural Hardstone Masonry Panels

Frame - 1 1/2" Sq. x 11 Ga. Wall Steel Tubing

Foot Plates - 1/4" x 1 1/2" Stainless Steel with 9/16" Mounting Holes

4x4 Cedar Lumber Seating Surface

Mounted w/ four 1/2" x 4-5" Stainless Steel Anchor Bolts (Customer Supplied)

### Sustainability and LEED

QuarryView seating steel tubing framework has a recycled material content of 84% of which 73% is post consumer content. For more information about SiteScapes sustainable products and policies, please refer to our Environmental Statement.

### Choices

Choose configuration based on pedestal nodes; planter or end table pedestal; 60, 72 or 96inch seat surface length; stone color; and accent color.

### QuarryView pedestal options



Planter Pedestal



End Table Pedestal



SITESCAPES

888.331.9464 402.421.9479 fax

P.O. Box 22326 Lincoln, NE 68542

www.sitescapesonline.com

info@sitescapesonline.com

Pictured this page

top left: QuarryView Three planter pedestal seat, 60inch cedar seating surface, QV1-A60B60A (Nantucket)

### Stone Options

QuarryView product is offered in three distinct Eldorado Stone® color options.



Dry Creek



Nantucket

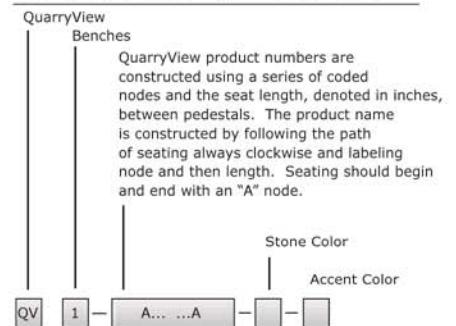


Pagosa Springs

### www.sitescapesonline.com

For more information visit our website where you can download product drawings, photos, product brochures, CSI specs, and other technical data.

### To Specify QuarryView Benches



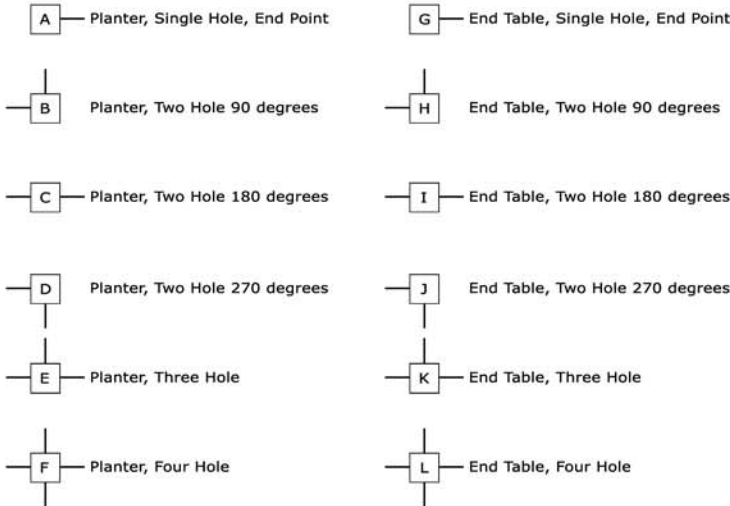
30% POST CONSUMER CONTENT



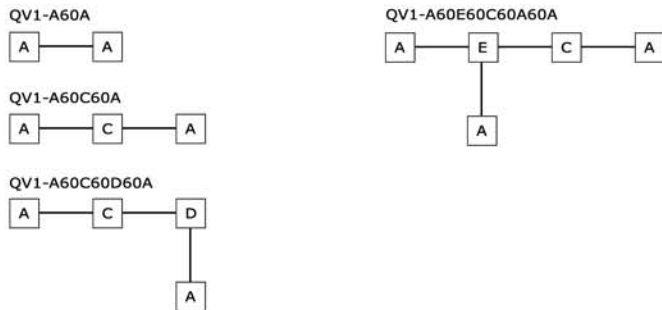
# QuarryView Stone Pedestal Seating

## QuarryView naming structure

QuarryView seating consists of a network of stone pedestals nodes. The following nodes are available.



QuarryView product numbers are constructed using a series of coded nodes and the seat length, denoted in inches, between pedestals. The product name is constructed by following the path of seating always clockwise and labeling node and then length. Seating should begin and end with an "A" node.



888.331.9464 402.421.9479 fax  
P.O. Box 22326 Lincoln, NE 68542  
www.sitescapesonline.com  
info@sitescapesonline.com

Pictured this page top left: QuarryView Two planter pedestal seat, 60inch cedar seating surface, QV1-A60B60A (Nantucket)

## Stone Options

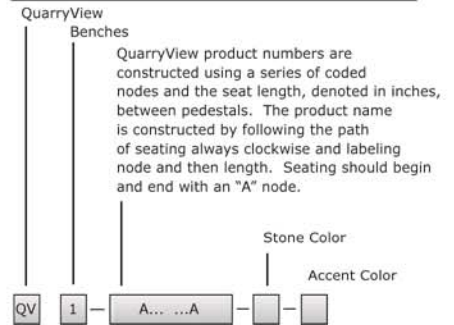
QuarryView product is offered in three distinct Eldorado Stone® color options.



## www.sitescapesonline.com

For more information visit our website where you can download product drawings, photos, product brochures, CSI spes, and other technical data.

## To Specify QuarryView Benches



30% POST CONSUMER CONTENT